



Bumpers

Front Bumper Removal/Installation

NOTE:

- Have an assistant help you when removing and installing the front bumper.
- Take care not to scratch the front bumper and body.
- Put on gloves to protect your hands.

1. Remove the front bumper as shown.

2. Install the bumper in the reverse order of removal, and note these items:

- Make sure both front side marker light connectors are plugged in properly.
- Make sure the front bumper engages the hooks of the side spacers and upper beams on both sides securely.
- Replace any damaged clips.

Fastener Locations

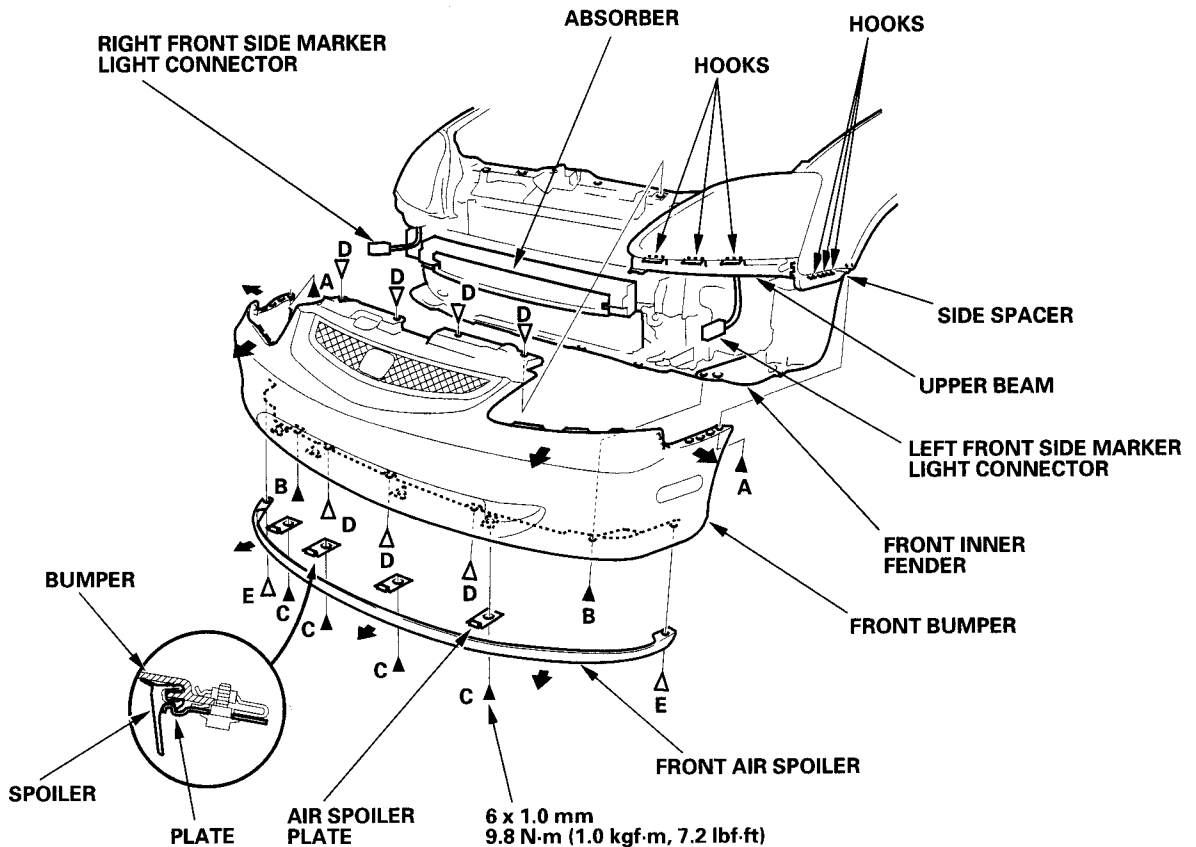
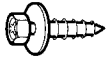
A ▶ : Screw, 2

B ▶ : Screw, 2

C ▶ : Bolt, 4

D ▶ : Clip, 7

E ▶ : Clip, 2



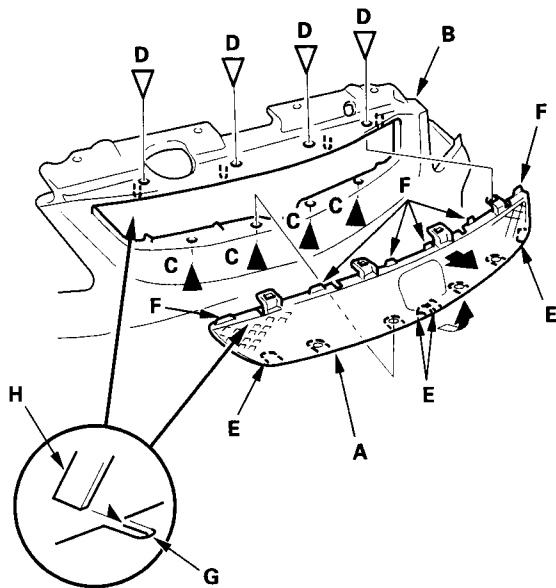
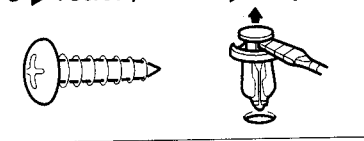
Exterior Trim

Front Grille Replacement

1. Remove the front bumper (see page 20-85).
2. Remove the front grille (A). Take care not to scratch the front bumper (B).
 - 1 Remove the screws (C).
 - 2 Remove the clips (D).
 - 3 Release the bottom hooks (E) of the grille.
 - 4 Pull out the bottom of the grille to release the upper hooks (F).
 - 5 Pull out the grille to release the slits (G) from the ribs (H), then remove the grille.

Fastener Locations

C ▶ : Screw, 4 D ▷ : Clip, 4



3. Install the grille in the reverse order of removal, and replace any damaged clips.
4. Reinstall the front bumper.